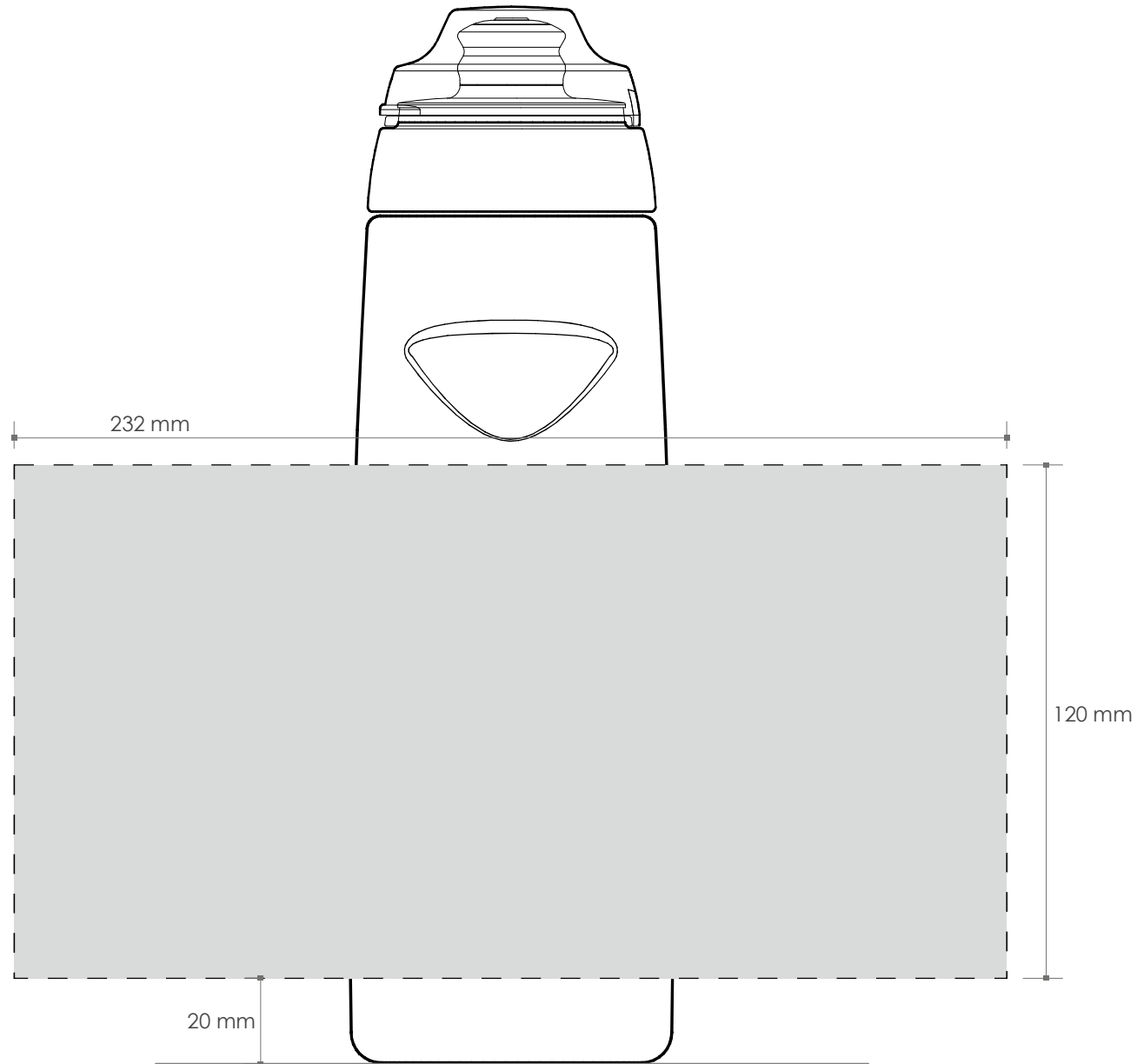


R7

750cc

PrintArea

ANDRIOLO
bottle your ideas



The impression can not close on the circumference of the bottle:
it's necessary to consider a non-printable area (approx. 0,8 cm width)