

# SPORT BOTTLES

# 2026



**ANDRIOLO**  
BOTTLE YOUR IDEAS

# THE PERSONALISED BOTTLES SPECIALIST

for over 30 years we have been manufacturing with passion and technical expertise most iconic water bottles you will ever come across to hold in your hand or see on a bicycle, at the gym or in the office.



# THE PERFECT BOTTLE CREATED FOR YOU

Do you want to make **corporate water bottles** to promote your brand or for all your staff as Fendi or Bosch did it?

Do you want to create personalised water bottle for your **Sports Team** just like Mapei did it?

Imagine the water bottle for **all students** of your School, such as the university of Catania?

Do you want to distribute **certified** quality water bottles like Decathlon or H&M?

Are you thinking of the official water bottle of **an event**, such as the Dolomite Marathon?



We are an **Italian company** and we chose to produce and work only in Italy.

We can boast an experience of **thirty-year expertise** which allows us to deal with each customer to help finding the best solutions for his project.

We always look at the future, to new forms and solutions, rather than what we have already done, that's why **we invest in research** and we experience each project as a new challenge to win.

Our products wear the Brand and the message of our Customers, every time we give it the care it reserves a unique piece!

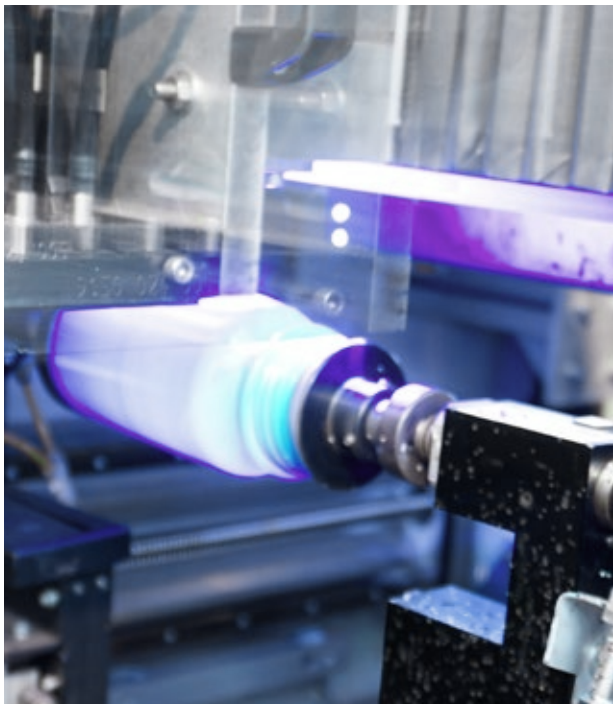
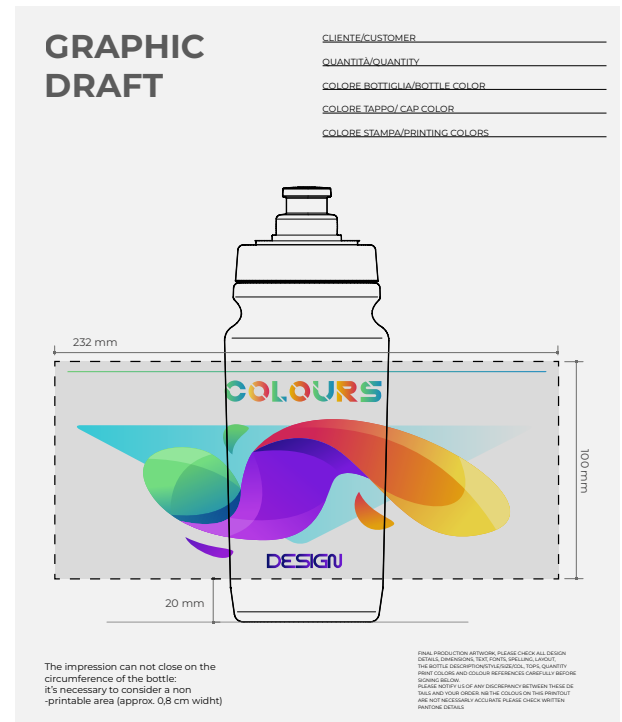
# INFORMATION ON CUSTOMIZATION

To personalize your bottle we can choose between **screen printing** or **digital printing** technology.

According to your graphic needs we offer you the best technology solution.

Each bottle has its own print size, you can find all the information on each model page downloading the printing area of the item you are interested in from our website

For customization we would prefer to work on **vectorial file**, If it is not possible we can process raster images but they have to be in high resolution.



All dark colored bottles need a white base to print bright colors, this layer must be counted as an extra color unless the white wasn't already part of the graphic.

Screen printing technology doesn't allow to wrap your logo around the bottle completely, please consider a No printable area of 8mm.

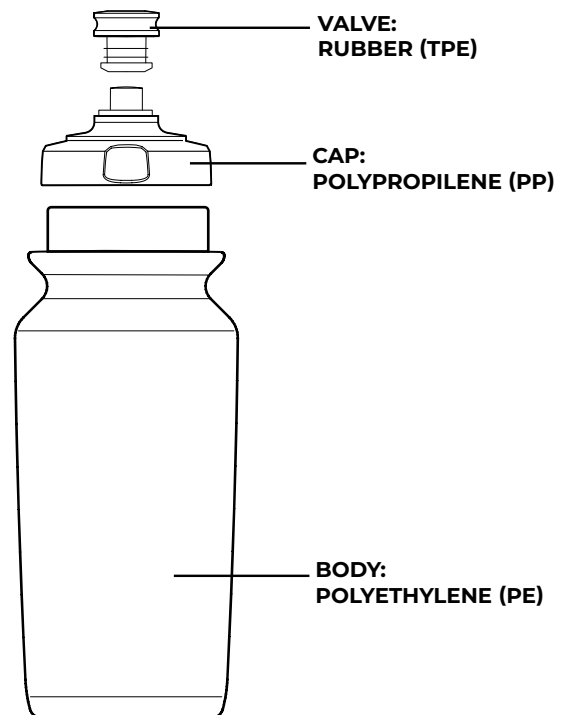
Each work is **checked and verified** from our graphics department and send back to customer for final check and approval.

# INFORMATION ON MATERIALS

Our products are thought out and designed to be safe, efficient and accessible to everyone.

We choose and use only raw materials which guarantee our water bottles the maximum performances of lightness, elasticity and durability.

All our bottles are **certified for food contact** according to current European regulations and are free of bisphenols (BPA - FREE) Our bottles are **100% recyclable** and disposable through ordinary recovery of plastic



We recommend washing the bottles before the use. It can be done by hand or in dishwasher (max 55°C)

After cleaning, or when the bottle is not used for long periods is advisable leave it open so that can always ventilate.

If you had forgotten for a long time the closed bottle with water or others drinks you may need to wash more carefully. In this case you can also use Amuchina or sodium bicarbonated.

# SPORT SERIES

LIGHT, SQUEEZABLE AND RESISTANT



Discover our range of sports bottles.

Available in a variety of sizes and colors to meet all your sports and customization needs.

Made from soft, elastic polymers that provide a perfect “squeeze”.

All our bottles are certified for food contact and **BPA-free**.

**100% recyclable.**

Ideal sports bottles: lightweight, squeezable, and durable.

Entirely manufactured —from the bottle body to the graphic finish— at our facility in Venegono Inferiore.

**100% Made in Italy.**

**SPORT BOTTLES**



PRO PRO 750



FOX FOX 750



ALEX TORAD

**BIOBASED**



BIO 500 BIO 750

**THERMAL FLASKS**



17 18

**BASKETS**



**BABY**



DOT BIC

**TOOLBOX**



M XL

**SHAKERS**



SHINE 500 SHINE



# PRO

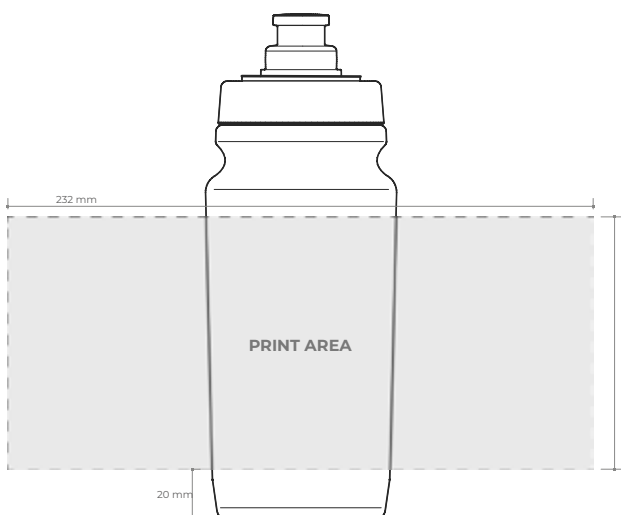
VOLUME: 550cc

HEIGHT WITH CAP: 195mm

BODY DIAMETER: 75mm

WEIGHT WITH CAP: 66g

- Optimised for use with bottle holders
- Wide neck to facilitate bottle cleaning
- Rubber spout for optimal opening and drinking
- Certified materials for food contact
- "One shot" silicone valve can be fitted to enable more powerful dispensing when the bottle is pressed, while simultaneously preventing involuntary leaks of liquids.



## BOTTLE COLORS

Solid

Transparent

## CAP COLORS



## VALVE COLORS





# PRO750

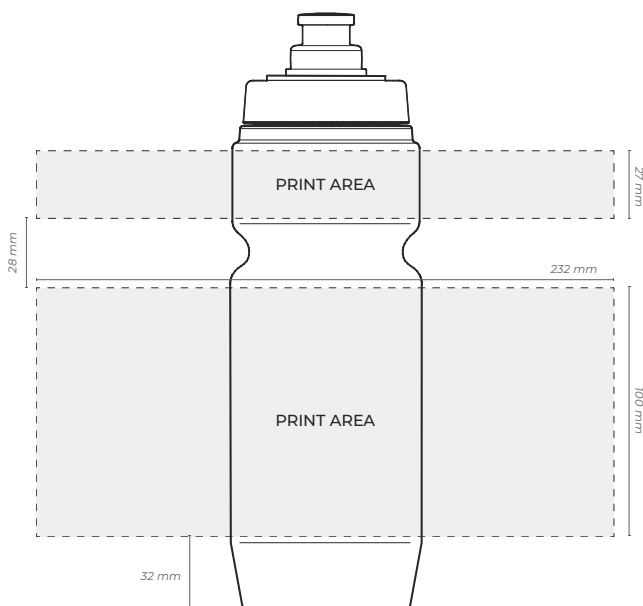
VOLUME: 750cc

HEIGHT WITH CAP: 235mm

BODY DIAMETER: 75mm

WEIGHT WITH CAP: 72g

- Optimised for use with bottle holders
- Wide neck to facilitate bottle cleaning
- Rubber spout for optimal opening and drinking
- Certified materials for food contact
- "One shot" silicone valve can be fitted to enable more powerful dispensing when the bottle is pressed, while simultaneously preventing involuntary leaks of liquids.



## BOTTLE COLORS

Solid

Transparent

## CAP COLORS



## VALVE COLORS





# FOX

VOLUME: 500cc

HEIGHT WITH CAP: 195mm

BODY DIAMETER: 75mm

WEIGHT WITH CAP: 66g

- Optimised for use with bottle holders
- Available with or without valve cover
- Certified materials for food contact

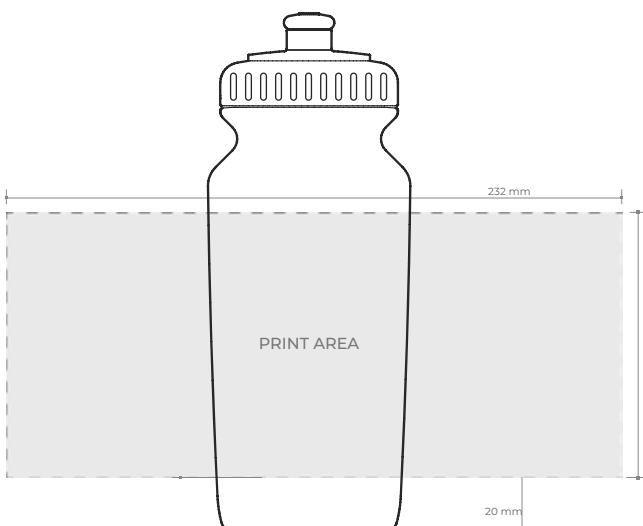
## AVAILABLE CAPS



ULTRA



LEO



## BOTTLE COLORS



## CAP COLORS



## VALVE COLORS





# FOX750

VOLUME: 750cc

HEIGHT WITH CAP: 235mm

BODY DIAMETER: 75mm

WEIGHT WITH CAP: 72g

- Optimised for use with bottle holders
- Available with or without valve cover
- Certified materials for food contact

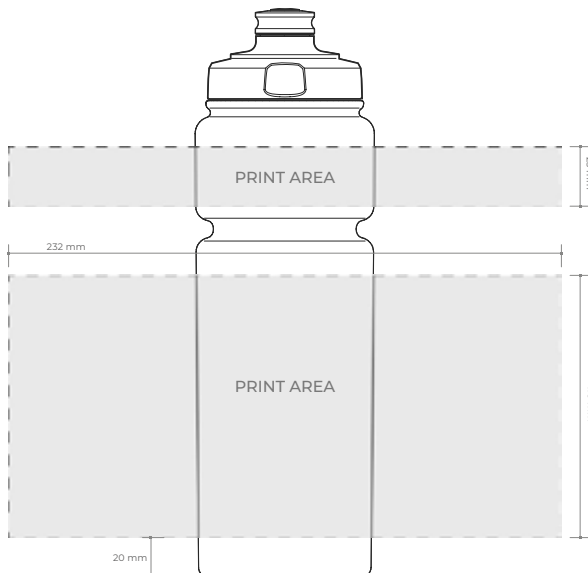
## AVAILABLE CAPS



ULTRA



LEO



## BOTTLE COLORS

Solid

Transparent

## CAP COLORS



## VALVE COLORS

Ultra

Leo



# ALEX

VOLUME: 650cc

HEIGHT WITH CAP: 205mm

BODY DIAMETER: 75mm

WEIGHT WITH CAP: 70g

- Optimised for use with bottle holders
- Available with or without valve cover
- Certified materials for food contact

## BOTTLE COLORS

■ Solid

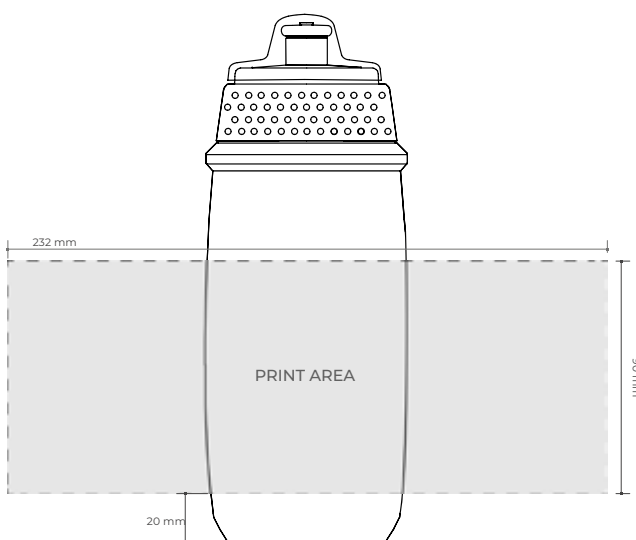
■ Transparent

## CAP COLORS

■ ■ ■ ■

## VALVE COLORS

■





# TORAD

VOLUME: 900cc

HEIGHT WITH CAP: 265mm

BODY DIAMETER: 74mm

WEIGHT WITH CAP: 100g

- Available with or without valve cover
- Non-slip grips
- Certified materials for food contact

## BOTTLE COLORS



Solid

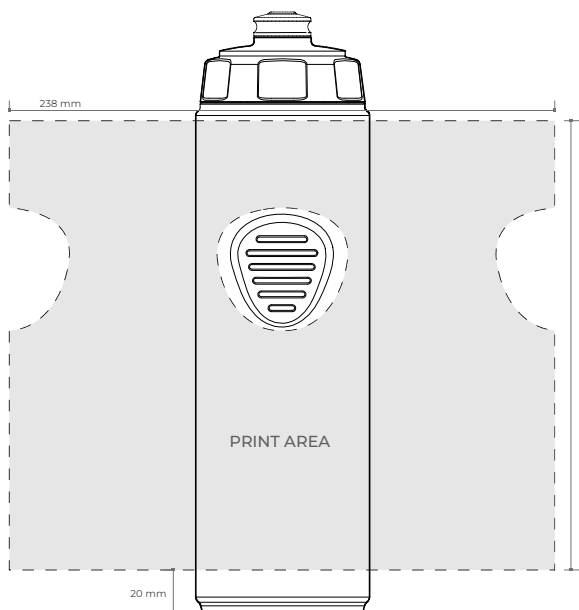


Transparent

## CAP COLORS



## VALVE COLORS



# BIOBASED



Special line designed to offer a responsible solution towards the environment.

A conscious thought to offer alternative materials from renewable sources

The green PE used for these bottles is a polyethylene in which the ethylene used is not fossil but **renewable origin**.

The polymer is obtained through processing **sugar cane**, a raw material renewable as it grows over a period of short, tangible and predictable time (cyclicality seasonal). Plastics manufactured from plant origin is define renewable or more technically **biobased**.

It is important to underline biobased raw material are not biodegradable but **recyclable** as normal plastic at the end of its life.

I'm   
green™  
BIO-BASED



# BIO500

VOLUME: 550cc

HEIGHT WITH CAP: 195mm

BODY DIAMETER: 75mm

WEIGHT WITH CAP: 66g

- 
- Optimised for use with bottle holders
  - Wide neck to facilitate bottle cleaning
  - Rubber spout for optimal opening and drinking
  - Biobased polyethylene (PE) Certified for food contact
- 

ASK FOR AVAILABLE  
COLOURS

*I'm green™  
bio-based and  
responsibly sourced.*



# BIO750

VOLUME: 750cc

HEIGHT WITH CAP: 235mm

BODY DIAMETER: 75mm

WEIGHT WITH CAP: 72g

- 
- Optimised for use with bottle holders
  - Wide neck to facilitate bottle cleaning
  - Rubber spout for optimal opening and drinking
  - Biobased polyethylene (PE) Certified for food contact
- 

ASK FOR AVAILABLE  
COLOURS



# 17

## THERMAL BOTTLE

VOLUME: 500cc

HEIGHT WITH CAP: 230mm

BODY DIAMETER: 76mm

WEIGHT WITH CAP: 140g

- Optimised for use with bottle holders
- Transparent valve cover
- Innovative double room system with reflective metallic sheet that allows you to keep for a long time the temperature of the liquids
- Certified materials for food contact

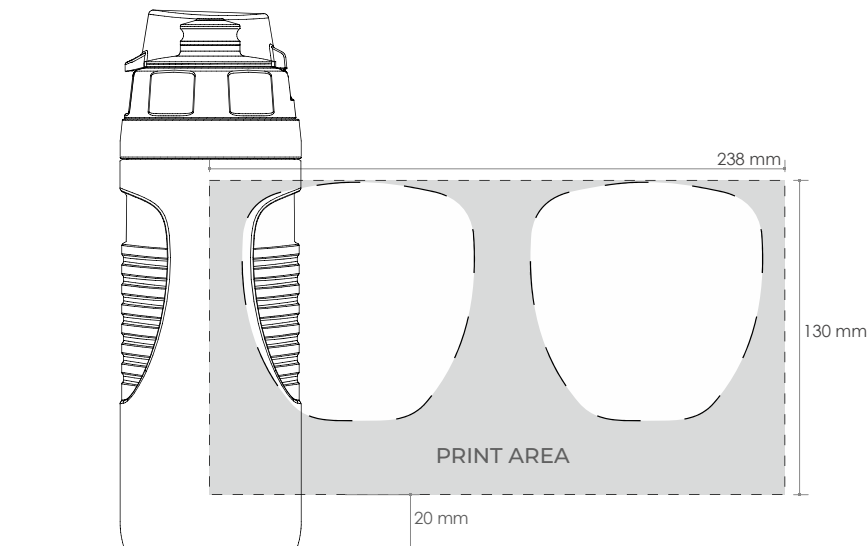
### BOTTLE COLORS

 Transparent

### CAP COLORS



### VALVE COLORS





# 18

## THERMAL BOTTLE

VOLUME: 650cc

HEIGHT WITH CAP: 270mm

BODY DIAMETER: 76mm

WEIGHT WITH CAP: 165g

- Optimised for use with bottle holders
- Transparent valve cover cover
- Innovative double room system with reflective metallic sheet that allows you to keep for a long time the temperature of the liquids
- Certified materials for food contact

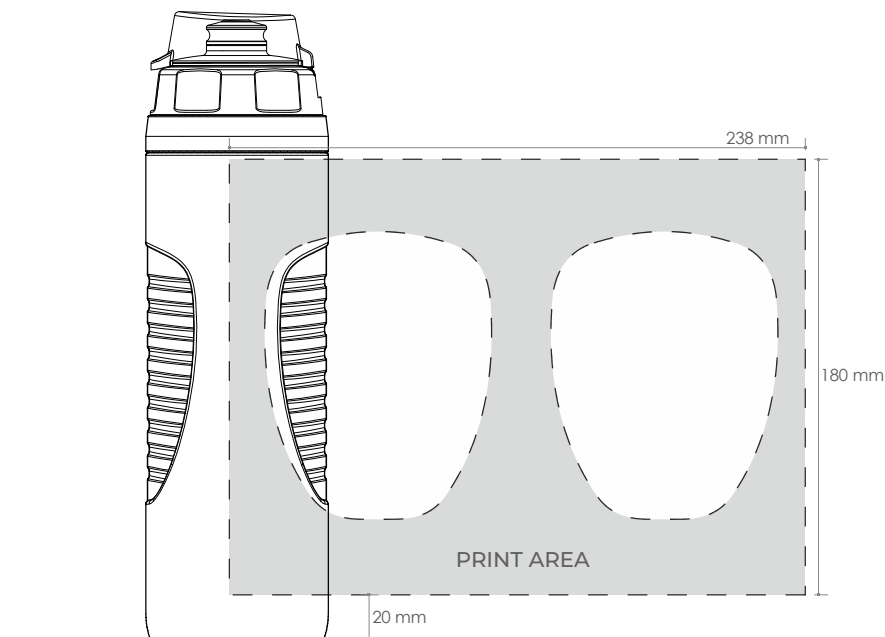
### BOTTLE COLORS

 Transparent

### CAP COLORS



### VALVE COLORS



# BOTTLE BASKET

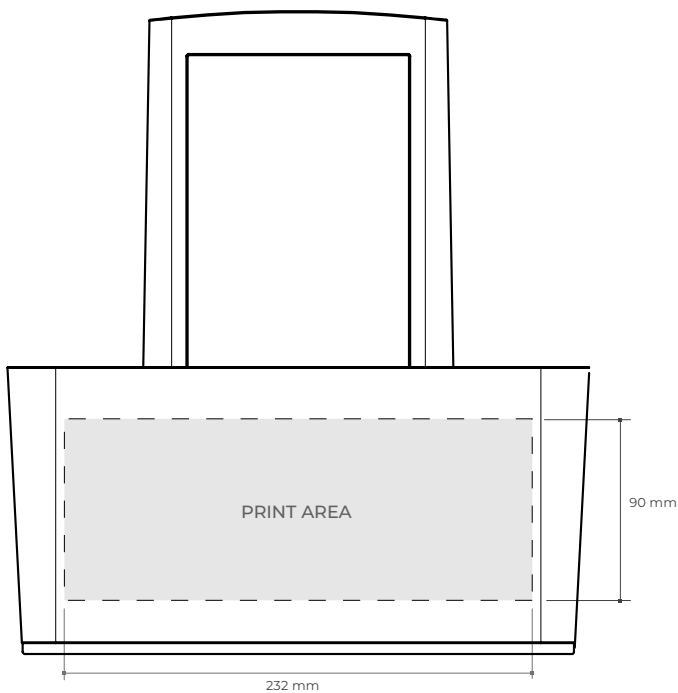
HEIGHT : 292mm

WIDTH AND DEPTH : 265 x 173 mm

WEIGHT : 320g

- Holds up to 6 bottles
- Stackable
- Material: polypropylene (PP)

COLORI CESTO





Torad bottle

# TEAM KIT

VOLUME: 900cc

HEIGHT WITH CAP: 265mm

BODY DIAMETER: 74mm

WEIGHT WITH CAP: 100g

- Bottle basket included
- Available with or without valve cover
- Non-slip grips
- Certified materials for food contact

## BOTTLE COLORS



## CAP COLORS



## VALVE COLORS



## SPORT TEAM KIT

Complete equipment solution for team sports:

**2 baskets and 12 bottles personalized** with your team logo and names of the players

Our 900cc Torad bottle available in 4 different colors to match your club colors.

With the extraordinary possibility to customize each single bottle with the name of every athlete of your team!



# DOT

Junior bottle

VOLUME: 250cc

HEIGHT WITH CAP: 130mm

BODY DIAMETER: 65mm

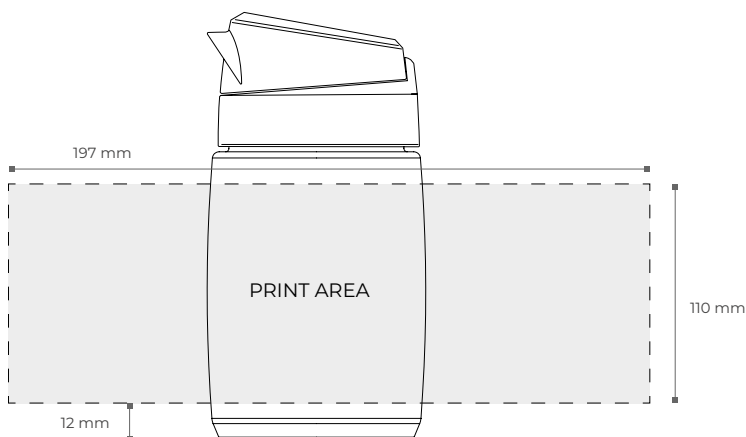
WEIGHT WITH CAP: 38g

- Cap with integrated cover
- Certified materials for food contact

## BOTTLE COLORS



## CAP COLORS





# BIC

Junior bottle

VOLUME: 380cc

HEIGHT WITH CAP: 165mm

BODY DIAMETER: 64mm

WEIGHT WITH CAP: 40g

- Available with or without valve cover
- Certified materials for food contact

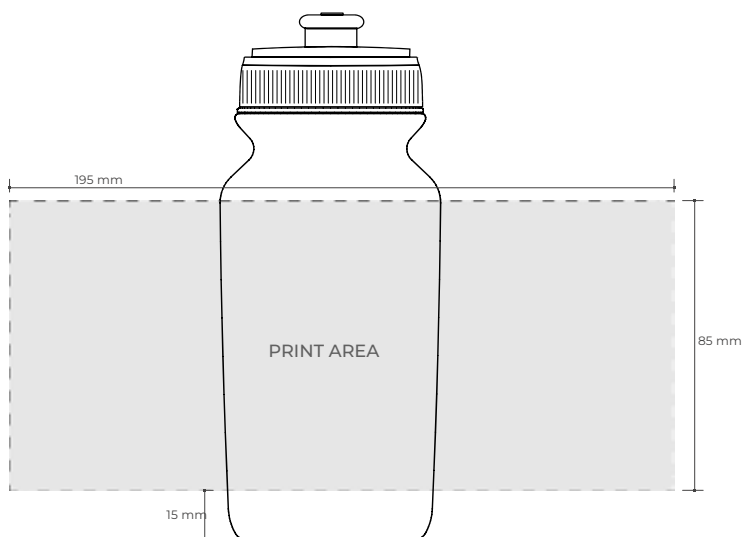
## BOTTLE COLORS



## CAP COLORS



## VALVE COLORS





tool container

# TOOLBOX M

VOLUME: 500cc

HEIGHT WITH CAP: 153mm

BODY DIAMETER: 75mm

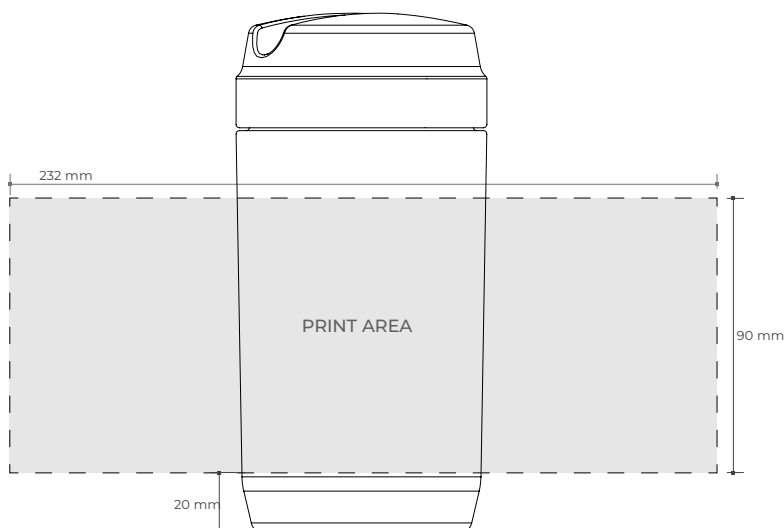
WEIGHT WITH CAP: 66g

- 
- Optimised for use with bottle holders
  - We produce the body of the Toolbox using **renew polyethylene** recovered from the production cycles of our bottles, thanks to an innovative process developed within our lines. With this solution we are able to break down the production of waste and give a second life to the regenerated materials.
- 

## BOTTLE COLOR



## CAP COLOR





tool container

# TOOLBOX XL

VOLUME: 750cc

HEIGHT WITH CAP: 200mm

BODY DIAMETER: 77mm

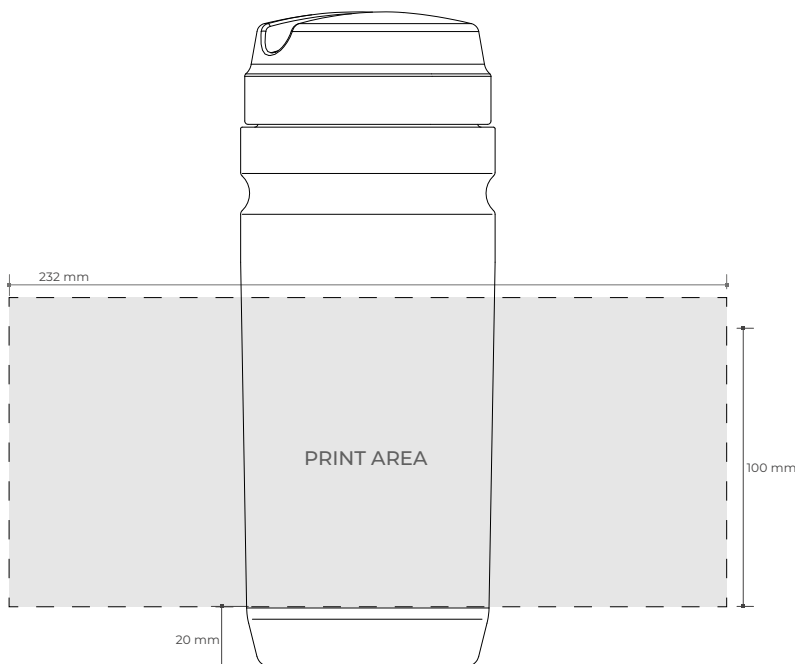
WEIGHT WITH CAP: 74g

- 
- Optimised for use with bottle holders
  - We produce the body of the Toolbox using **renew polyethylene** recovered from the production cycles of our bottles, thanks to an innovative process developed within our lines. With this solution we are able to break down the production of waste and give a second life to the regenerated materials.
- 

BOTTLE COLOR



CAP COLOR



# SHAKERS

SUPPLEMENTS, PROTEINS, ENERGY DRINKS



**Shine** is a shaker with a practical and functional design, perfect for mixing your proteins.

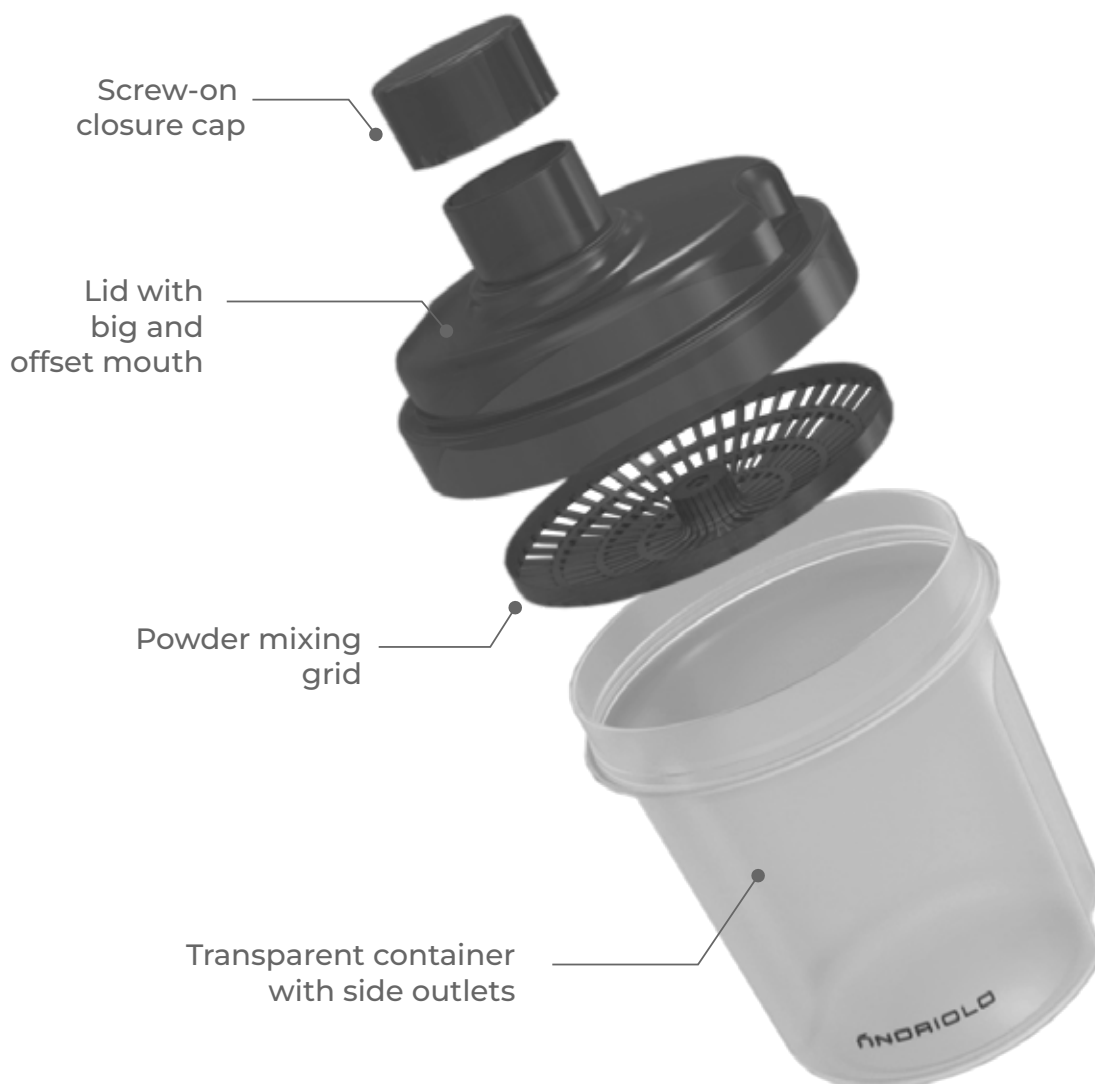
It features an internal grid to hold ice and optimally mix liquids and powders.

The large, translucent glass can hold up to 700cc and is easy to grip thanks to two elegant side grips.

The wide mouth makes it easy to add powders for mixing and allows for optimal washing and drying.

The container's shape offers a large printing area to promote your business and ideas.

Available in 700cc and 500cc sizes.



shaker

# SHINE 500

VOLUME: 500cc

HEIGHT WITH CAP: 140mm

BODY DIAMETER: 95mm

WEIGHT WITH CAP: 80g

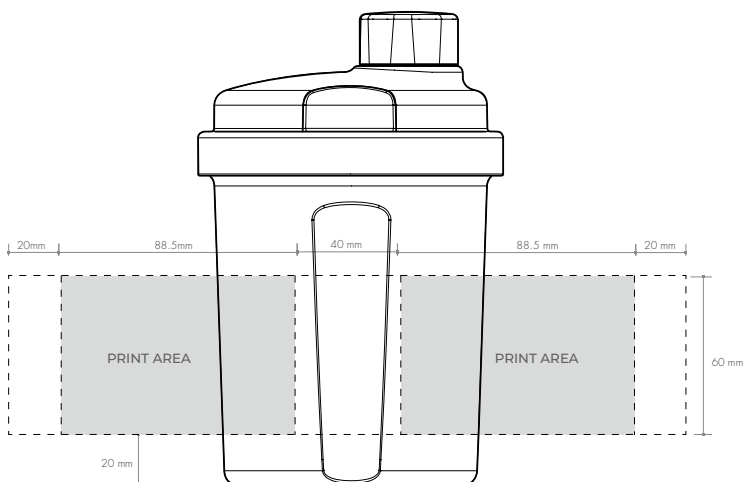


- Grid to obtain optimal powders mix in the drink
- Screwed cap with internal thread for best drink experience
- Available with blender ball
- Dishwasher safe (max 65°C)

#### BOTTLE COLOR



#### CAP COLORS





shaker

# SHINE

VOLUME: 700cc

HEIGHT WITH CAP: 205mm

BODY DIAMETER: 95mm

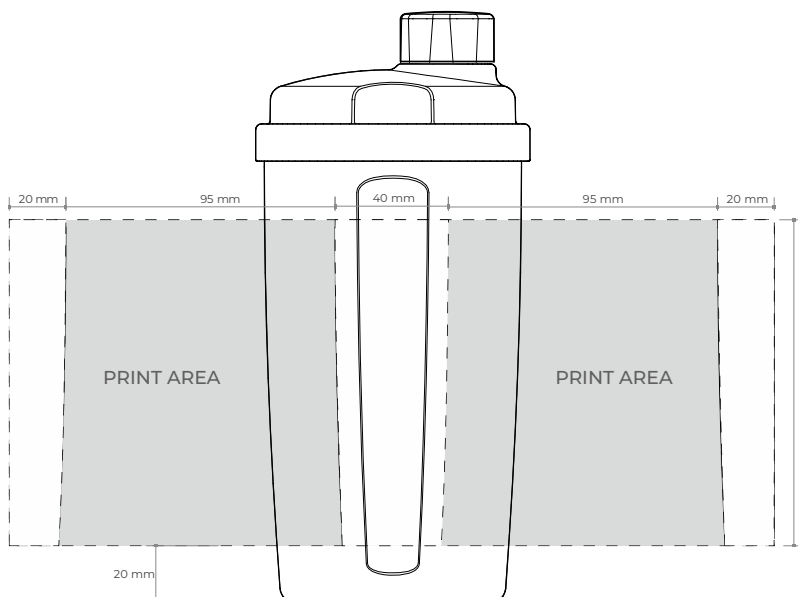
WEIGHT WITH CAP: 100g

- Grid to obtain optimal powders mix in the drink
- Screwed cap with internal thread for best drink experience
- Available with blender ball
- Dishwasher safe (max 65°C)

BOTTLE COLOR



CAP COLORS



# PANTONE REFERENCES



PANTONE  
Bright White



PANTONE  
Black 2C



PANTONE  
485C



PANTONE  
102C



PANTONE  
1505C



PANTONE  
300C



PANTONE  
282C



PANTONE  
072C



PANTONE  
3507C



PANTONE  
485C



PANTONE  
361C



PANTONE  
2184C



PANTONE  
405C



PANTONE  
process magenta



TRANSPARENT

You can request your custom color with orders over **5,000 units**



*LET YOUR LOGO AND STORY LIVE  
ON A HIGH-QUALITY PRODUCT.  
EVERY DAY, THROUGH EVERY SIP*



**ANDRIOLO**  
BOTTLE YOUR IDEAS